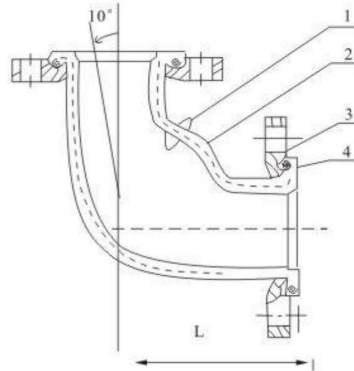


## WTX型可曲挠橡胶弯头 WTX type flexible rubber bent



### 技术条件 Technical Conditions

型号 Type	WTX-1	WTX-II	WTX-III
工作压力MPa(Kg f/cm <sup>2</sup> ) Working Pressure	1.0(10)	1.6(16)	2.5(25)
爆破压力MPa(Kg f/cm <sup>2</sup> ) Bursting pressure	2.0(20)	3.2(32)	4.5(45)
真空度KPa(mmHg) Vacuum	53.3(400)	86.7(650)	100(750)
适用温度℃ Applicable Temperature℃	-15~115, 特殊可达-30~250 -15~115, (for special conditions) it can be -30~250		
适用介质 Applicable Media	空气、压缩空气、水、海水、热水、油、酸、碱等 Air, compressed air, water, sea water, hot water, oil, acid and alkali etc.		

注：主要零件材料同JGD型 Note: material of main components is as same as JGD type

### 主要连接尺寸 Main connection dimensions

公称通径 DN Nominal diameter		长度 Length L (mm)	轴向伸长 Axial extension (mm)	轴向压缩 Axial compression (mm)	横向位移 Lateral displacement (mm)	偏转角度 Deflexion angle ( $\alpha_1 + \alpha_2$ )°
DN	inch					
50	2	150	20	20	16	20°
65	2 $\frac{1}{2}$	150	20	20	16	20°
80	3	160	20	20	16	20°
100	4	170	20	20	16	20°
125	5	200	20	20	16	20°
150	6	230	20	20	16	20°
200	8	265	20	20	16	20°
250	10	280	20	20	16	20°
300	12	320	20	20	16	20°